

Docking Drawer®

Docking Drawer Trio™ Installation Instructions



DOCKING DRAWER TRIO PART #:
3030-xxx0



DOCKING DRAWER TRIO PART #:
3040-xxx0



DOCKING DRAWER TRIO PART #:
3050-xxx0

Time Required - 30 min

- Tools Needed:
- Jigsaw
 - Drill
 - Measuring Tape
 - Screwdriver
 - Square
 - Pencil
 - Cutout Template

Downloadable Resources

For additional planning resources, visit dockingdrawer.com/downloads

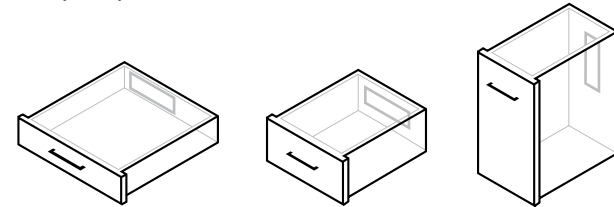
- Spec Book
- DXF and STEP Files
- Mounting Diagrams
- Electrical Certifications

CAUTION – READ CAREFULLY

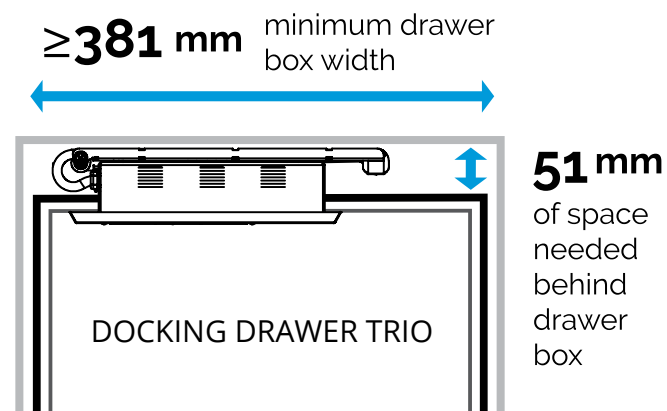
- Failure to follow these instructions can cause death or permanent injury. Do not work on live electrical circuits! Make absolutely certain power is off before connecting the device!
- This product is for dry, indoor and permanent installations only.
- Install the device in accordance with all national and local electrical codes.
- If the supply cord is damaged, it shall be replaced by the manufacturer or its service agent or similarly qualified person in order to avoid a hazard

How to Install the Outlet

There are 3 methods to install the Trio Series depending on your drawer box type. The following instructions detail the installation process for Shallow drawer box types. Need more detail for the other options? Call us at +1 (925) 233-5598.



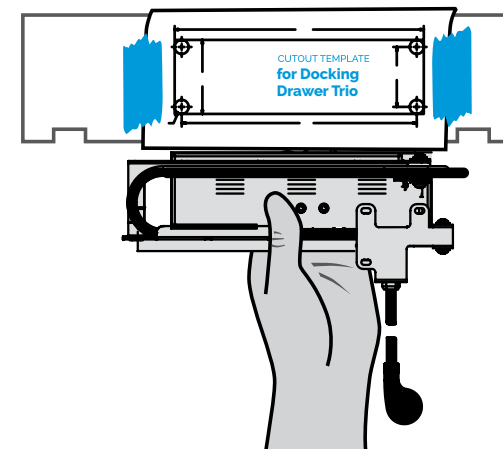
Step 1 - Verify there is space available for the in-drawer outlet behind the drawer box. The Docking Drawer Trio requires at least 51mm of space behind the drawer box and 381mm minimum drawer box width.



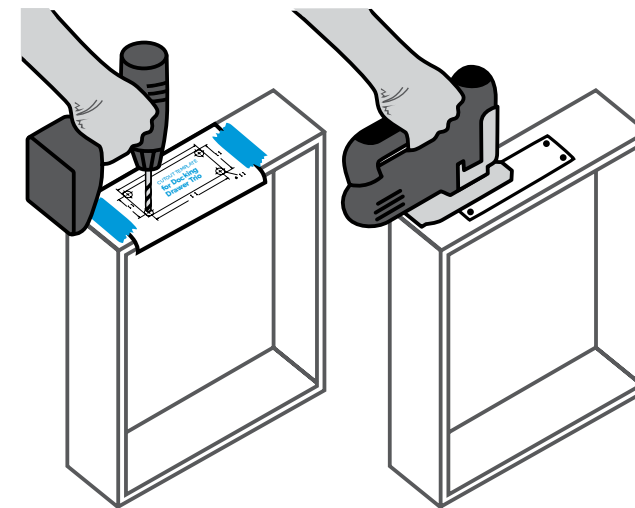
Step 2 - Remove the included cutout template.

Step 3 - Locate the proper location for the receptacle box cutout using our cutout template. You can locate the proper location from either the inside or backside of the drawer box, making sure that the arms will not interfere with the slides and that there is enough material surrounding the receptacle box to securely hold it in place.

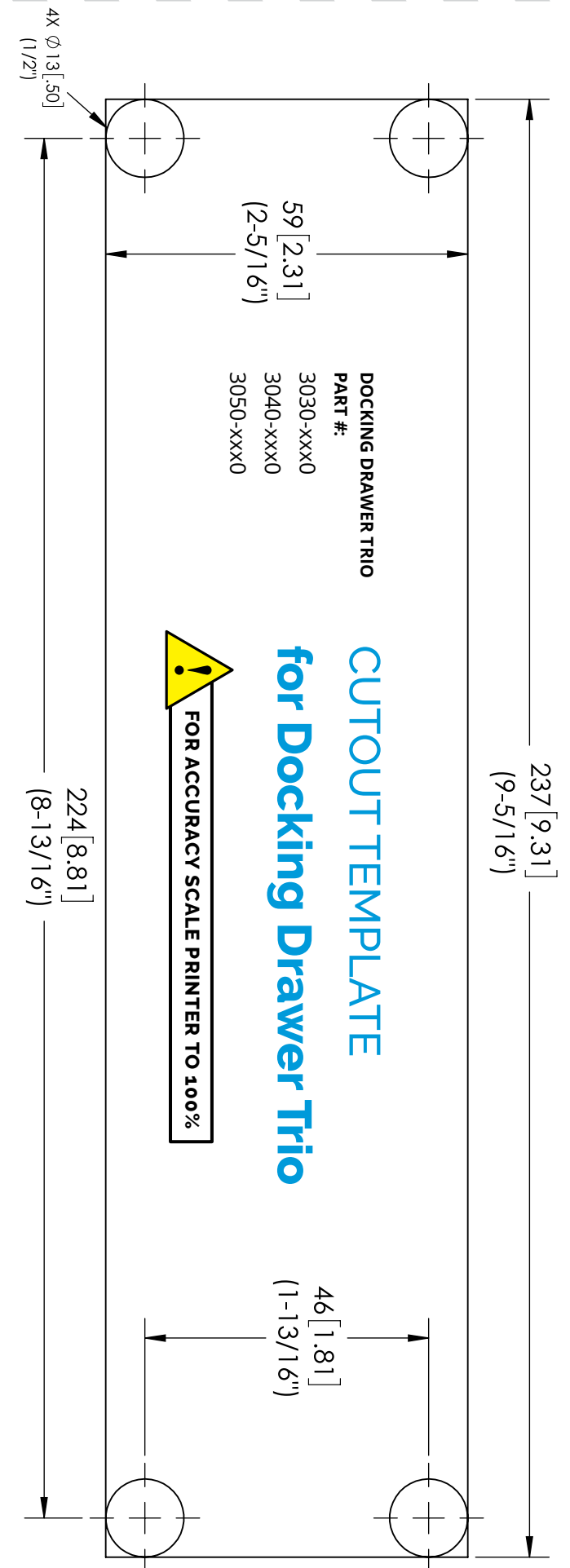
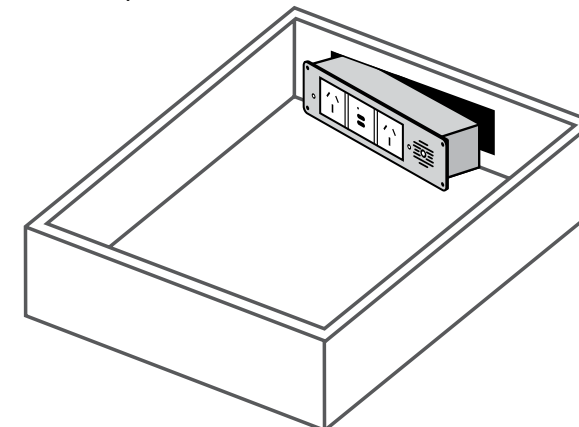
Step 3 - cont.



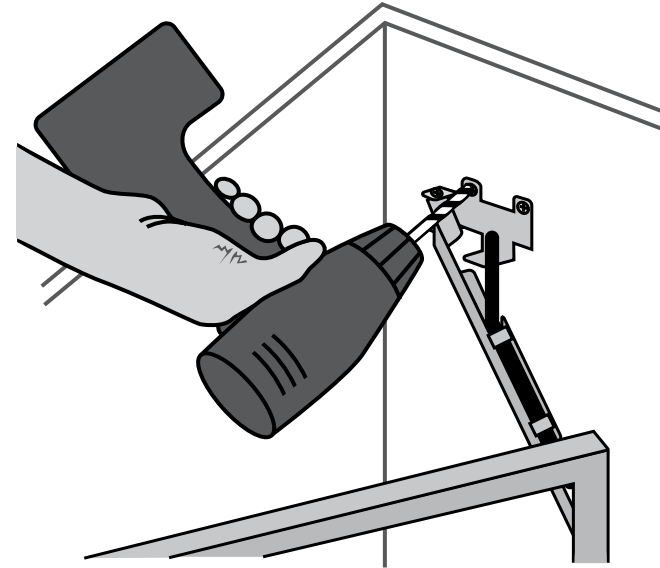
Step 4 - With a 13mm drill bit, drill a hole in each corner, being careful not to splinter the wood on the inside of the drawer box. Using one of the 13mm holes, insert a jigsaw and then make the required cutouts in the drawer box.



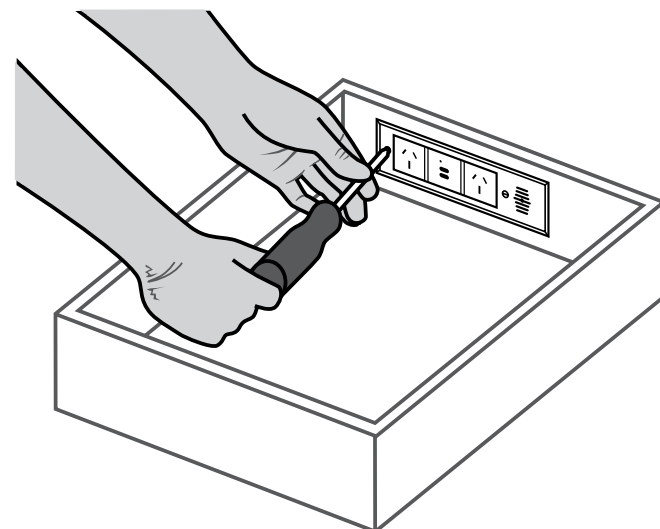
Step 5 - Reinstall the drawer box and slide the Docking Drawer Trio receptacle box through the cutout. Secure it with the 4 wood screws provided.



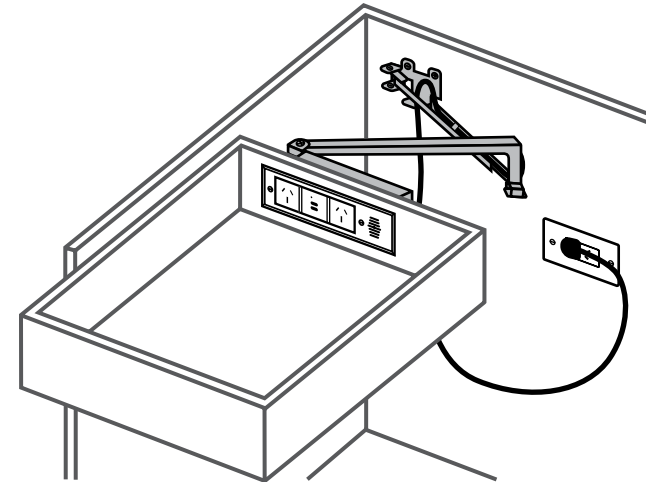
Step 6 - Align arms. With the drawer mostly closed, mark the position of the rear mounting bracket. It is important to make sure the drawer moves freely in and out and that the arms are square and even. Spend sufficient time at this step before fastening the bracket to the rear wall to make sure everything is square and the arms are in the correct position. Once that is done, secure with the 3 rear mounting bracket screws provided.



Step 7 - Install the cover plate.



Step 8 - Connect the Docking Drawer power cord to the in-cabinet electrical supply. For more details about locating an in-cabinet electrical supply for your Docking Drawer installation, please refer to the Electrical Planning Guide located in our Spec Book.



How to Operate the Outlet

The Docking Drawer Trio Series in-drawer outlets include a 50 °C interlocking thermostat to protect against overheating inside the drawer. To reset, correct the source of over temperature and push the button in the center of the vents of the cover plate. Note: You may need to wait a few minutes for the unit to cool before the thermostat can be reset.



Push to reset interlocking thermostat



For private households: Information on Disposal for Users of WEEE This symbol (figure 1) on the product(s) and / or accompanying documents means that used electrical and electronic equipment (WEEE) should not be mixed with general household waste.

For proper treatment, recovery and recycling, please take this product(s) to designated collection points where it will be accepted free of charge. Alternatively, in some countries, you may be able to return your products to your local retailer upon purchase of an equivalent new product.

Disposing of this product correctly will help save valuable resources and prevent any potential negative effects on human health and the environment, which could otherwise arise from inappropriate waste handling.

Please contact your local authority for further details of your nearest designated collection point. Penalties may be applicable for incorrect disposal of this waste, in accordance with your national legislation.

For professional users in the European Union

If you wish to discard electrical and electronic equipment (EEE), please contact your dealer or supplier for further information.

For disposal in countries outside of the European Union

This symbol is only valid in the European Union (EU). If you wish to discard this product please contact your local authorities or dealer and ask for the correct method of disposal.